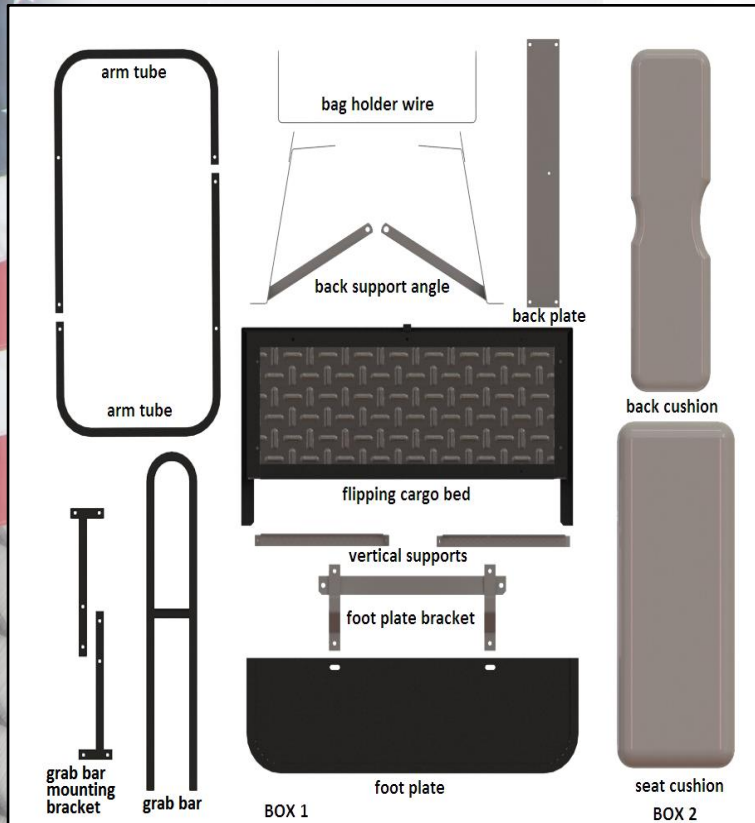


SEAT KIT INSTALLATION INSTRUCTIONS

EZGO RXV



BAG#	APPLICATION	SPEC	QTY
R-1	ARM TUBE	HEX BOLT 1/4-1 1/2	4
		HEX BOLT 1/4-2 1/2	2
		FLAT WASHER 1/4	12
		LOCK NUT 1/4	6
R-2	FLIP FLOP FRAME	HEX BOLT 1/4-1	4
		FLAT WASHER 1/4	8
		LOCK NUT 1/4	4
R-3	FOOT PLATE	HEX BOLT 3/8-1 1/8	4
		FLAT WASHER 3/8	8
		SPRING WASHER 3/8	4
		NUT 3/8	4
R-4	BACK CUSHION	HEX BOLT 1/4-20*1	2
		HEX BOLT 1/4-20*1 1/4	2
		HEX BOLT 1/4-20*3/4	2
		FLAT WASHER 1/4	8
	NYLON NUT 1/4-20	6	
R-5	GRAB BAR	SELF-DRILL SCREW M4.2*30	6
R-5	GRAB BAR	HEX BOLT 1/4-1 3/4	8
		FLAT WASHER 1/4	16
		LOCK NUT 1/4	8

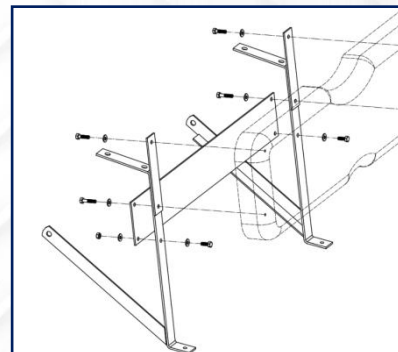
INSTALLATION



1. Remove the sweater basket from cart first, leave all bolts/nuts on cart for later use.



2. Remove all nuts from backrest cushion cap, leave washers on.



3. Display bolts in hardware bag R-4 in front of you. Align them by length. Display back plate like picture above with wire hook hole on upper side.

4. First attach back plate to back support angle with shortest bolts through bottom hole on back plate. Pay attention on bolt head direction. Then attach back support angle on back cushion using mid-length bolts on the upper hole, using the longest bolts to connect back plate, back support angle and back cushion.

SEAT KIT INSTALLATION INSTRUCTIONS

EZGO RXV



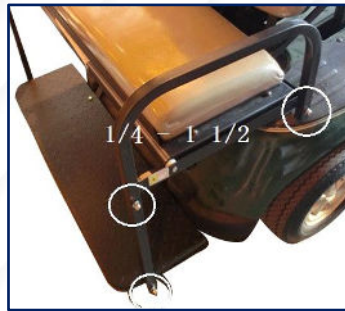
5. Install two vertical supports on foot plate bracket using hardware R-3.



6. Install foot plate bracket with vertical supports assembly on cart's bagwell area using existing factory hardware. Tips: Install vertical supports first.



7. Install back support angle / back cushion / back plate (part one installed from step 2-step 4) on cart's main frame using total 6 pieces of existing factory bolts/nuts (include left & right). Picture shows back support angle only.



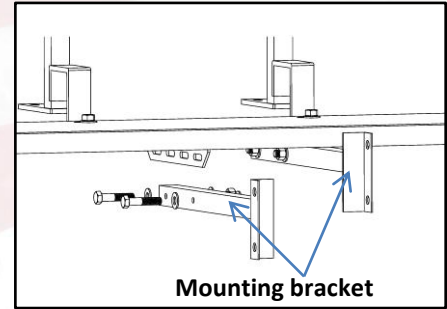
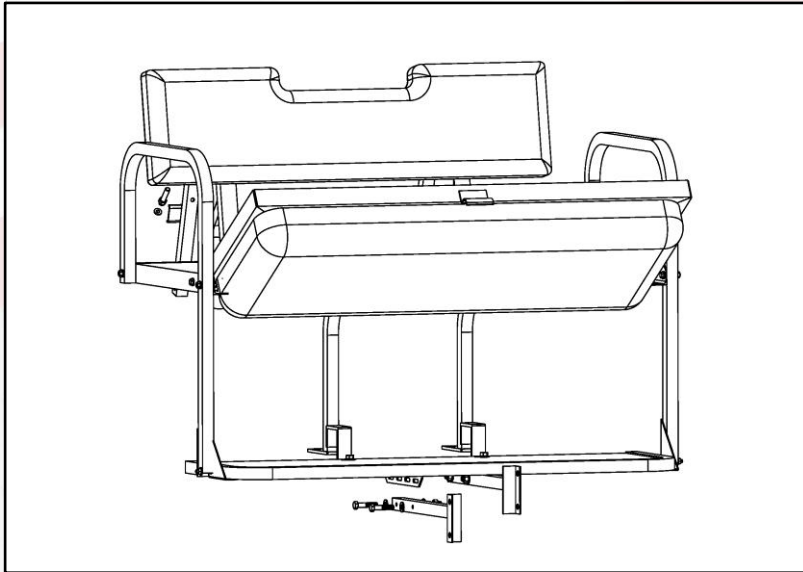
8. Install seat cushion on flipping cargo bed using 6 self-screws from hardware R-4. Then install flipping cargo bed on vertical supports and back support angles using hardware R-2. Install arm tube on flipping cargo bed and foot plate using hardware R-1 (longer bolts on foot plate).



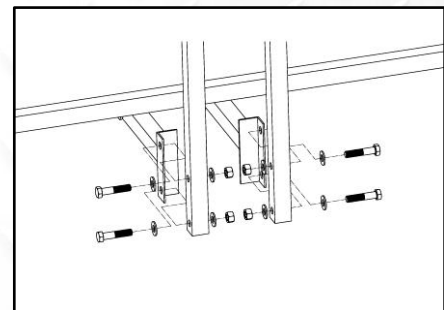
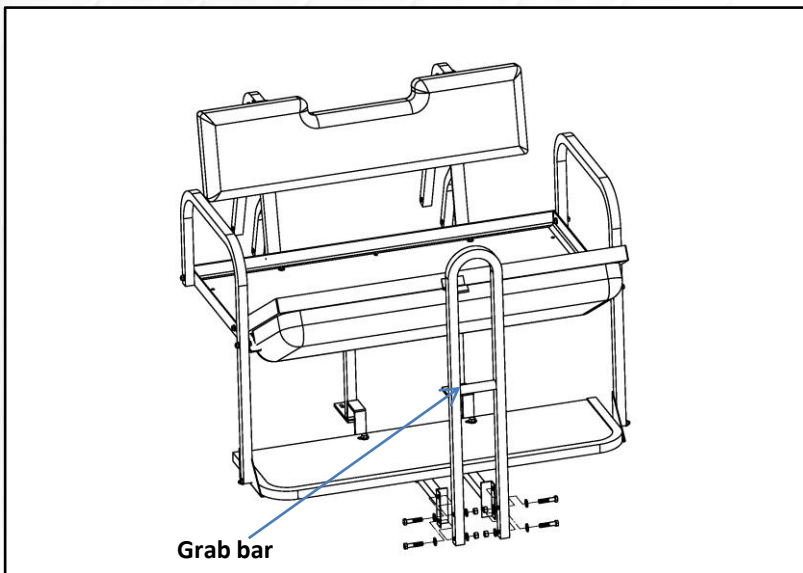
9. Hook bag holder wire onto holes on the back of back plate, tied the bag up on it.

GRAB BAR INSTALLATION INSTRUCTIONS

FITS ALL STEELING REAR FLIP SEAT KIT



1. Install mounting bracket to footplate using 4 supplied 1/4-1 3/4 bolts, washers and nuts.



2. Install grab bar to mounting bracket using 4 supplied 1/4-1 3/4 bolts, washers and nuts.

Please refer to below chart to identify your hardware bag# to install grab bar.

Cart Style	Hardware Bag#	Cart Style	Hardware Bag#
EZGO TXT	B-7	EZGO RXV	R-5
Club Car DS	C-8	Club Car Precedent	A-6
Yamaha G14-G22	E-7	Yamaha Drive	D-7

All specifications mentioned above are subject to change without prior notice.



RETURN MERCHANDISE AUTHORIZATION

Dear Valued Customer,

Thank you for choosing Steeleng Golf Cart Accessories for your golf cart needs.

We apologize for the issues you are having with your purchase. We strive to offer the absolute best quality at the absolute best price.

To best serve you, we do need a little information to help process your return and/or exchange faster.

Please complete the following and include this entire form with your return.

Name

Shipped To Address

STATE

ZIP

Purchased with:

eBay

Direct Phone Order

This is for

EXCHANGE

REFUND

Please describe reason for return:-

Our Return Address:

Steeleng Golf Cart Accessories

3309 Laurens Road,

Greenville, SC 29607

Tele: 864-675-1103

For Office Use Only:

Received By: _____

Date _____

Refund Amount _____

Exchange Issued _____

**Steeleng Golf Cart Accessories reserves the right to charge a 15% restocking fee for all returned and/or exchanged items.